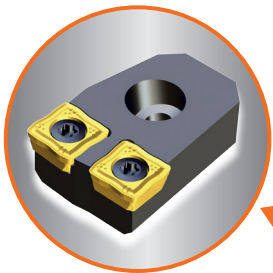


NEW PRODUCT NEWS

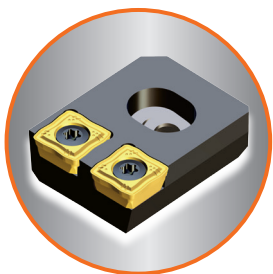
TOPDRILL



Cartridge Type TOPDRILL for Large Diameter Hole Machining



Inner cartridge



Outer cartridge



KEY POINT

The application range of TaeguTec's TOPDRILL has extended up to Ø80.

TaeguTec's **TOPDRILL** line, which has established itself as a leader in the insert type drill market with excellent productivity, has launched a new drill that works on diameters over Ø51.

The advantage of the large diameter cartridge type **TOPDRILL** is that by introducing setting plates on the outer cartridge, it enables a single drill body to machine multiple hole sizes. In addition, the new drill holders are more convenient for customers because only one insert type is needed for both the inner and outer pockets while facilitating more efficient inventory management and reduce tool costs.

Features

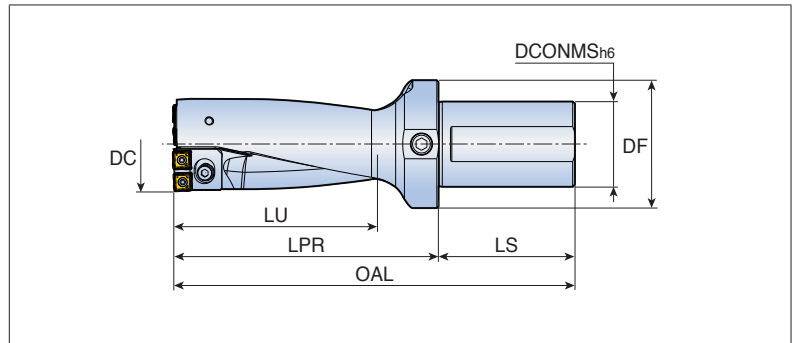
- Cartridge type structure allows adjustment of drill diameters
 - Multiple setting plates for different diameters
 - Adjustable up to maximum 5 mm
- One insert for both the internal and external pockets
 - Improved inventory management and reduce tool costs
- Improved machining stability due to optimal insert positioning
- Drill range: 51.0-80.0 mm (2xD, 3xD, 4xD)

TOP 20...CA

Indexable cartridge drill holder



• Drilling depth: 2xdiameter



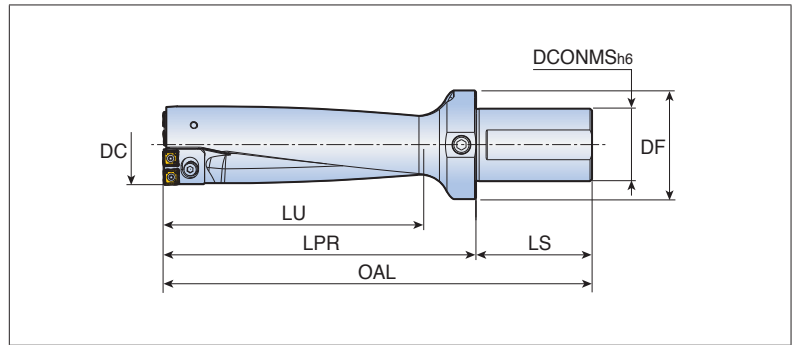
Designation	Dimension (mm)							Setting plate	Insert
	DC	DCONMS	DF	OAL	LU	LPR	LS		
TOP 2051-55-50T2-09CA	51	50	75	223	110	143	80	-	SOMT 09T308... DP/DK/DA
	52							TOP-0901	
	53							TOP-0902	
	54							TOP-0903	
	55							TOP-0904	
TOP 2056-60-50T2-11CA	56	50	75	236	120	156	80	-	SOMT 11T308... DP/DK/DA
	57							TOP-0901	
	58							TOP-0902	
	59							TOP-0903	
	60							TOP-0904	
TOP 2061-65-50T2-11CA	61	50	75	249	130	169	80	-	SOMT 11T308... DP/DK/DA
	62							TOP-0901	
	63							TOP-0902	
	64							TOP-0903	
	65							TOP-0904	
TOP 2066-70-50T2-11CA	66	50	75	262	140	182	80	-	SOMT 11T308... DP/DK/DA
	67							TOP-0901	
	68							TOP-0902	
	69							TOP-0903	
	70							TOP-0904	
TOP 2071-75-50T2-13CA	71	50	75	275	150	195	80	-	SOMT 130408... DP/DK/DA
	72							TOP-0901	
	73							TOP-0902	
	74							TOP-0903	
	75							TOP-0904	
TOP 2076-80-50T2-13CA	76	50	75	288	160	208	80	-	SOMT 130408... DP/DK/DA
	77							TOP-0901	
	78							TOP-0902	
	79							TOP-0903	
	80							TOP-0904	

TOP 30...CA

Indexable cartridge drill holder



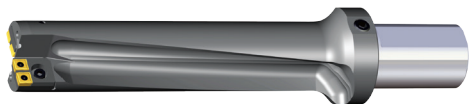
• Drilling depth: 3xdiameter



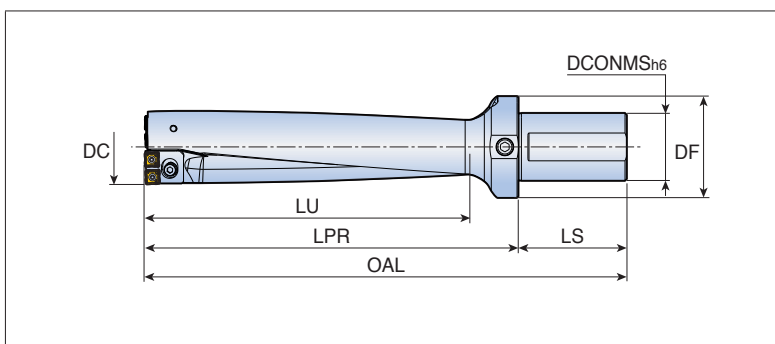
Designation	Dimension (mm)							Setting plate	Insert
	DC	DCONMS	DF	OAL	LU	LPR	LS		
TOP 3051-55-50T2-09CA	51	50	75	278	165	198	80	-	SOMT 09T308... DP/DK/DA
	52							TOP-0901	
	53							TOP-0902	
	54							TOP-0903	
	55							TOP-0904	
TOP 3056-60-50T2-11CA	56	50	75	296	180	216	80	-	SOMT 11T308... DP/DK/DA
	57							TOP-0901	
	58							TOP-0902	
	59							TOP-0903	
	60							TOP-0904	
TOP 3061-65-50T2-11CA	61	50	75	314	195	234	80	-	SOMT 11T308... DP/DK/DA
	62							TOP-0901	
	63							TOP-0902	
	64							TOP-0903	
	65							TOP-0904	
TOP 3066-70-50T2-11CA	66	50	75	332	210	252	80	-	SOMT 11T308... DP/DK/DA
	67							TOP-0901	
	68							TOP-0902	
	69							TOP-0903	
	70							TOP-0904	
TOP 3071-75-50T2-13CA	71	50	75	350	225	270	80	-	SOMT 130408... DP/DK/DA
	72							TOP-0901	
	73							TOP-0902	
	74							TOP-0903	
	75							TOP-0904	
TOP 3076-80-50T2-13CA	76	50	75	368	240	288	80	-	SOMT 130408... DP/DK/DA
	77							TOP-0901	
	78							TOP-0902	
	79							TOP-0903	
	80							TOP-0904	

TOP 40...CA

Indexable cartridge drill holder


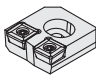
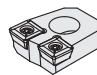


• Drilling depth: 4xdiameter



Designation	Dimension (mm)							Setting plate	Insert
	DC	DCONMS	DF	OAL	LU	LPR	LS		
TOP 4051-55-50T2-09CA	51	50	75	333	220	253	80	-	SOMT 09T308... DP/DK/DA
	52							TOP-0901	
	53							TOP-0902	
	54							TOP-0903	
	55							TOP-0904	
TOP 4056-60-50T2-11CA	56	50	75	356	240	276	80	-	SOMT 11T308... DP/DK/DA
	57							TOP-0901	
	58							TOP-0902	
	59							TOP-0903	
	60							TOP-0904	
TOP 4061-65-50T2-11CA	61	50	75	379	260	299	80	-	SOMT 11T308... DP/DK/DA
	62							TOP-0901	
	63							TOP-0902	
	64							TOP-0903	
	65							TOP-0904	
TOP 4066-70-50T2-11CA	66	50	75	402	280	322	80	-	SOMT 11T308... DP/DK/DA
	67							TOP-0901	
	68							TOP-0902	
	69							TOP-0903	
	70							TOP-0904	
TOP 4071-75-50T2-13CA	71	50	75	425	300	345	80	-	SOMT 130408... DP/DK/DA
	72							TOP-0901	
	73							TOP-0902	
	74							TOP-0903	
	75							TOP-0904	
TOP 4076-80-50T2-13CA	76	50	75	448	320	368	80	-	SOMT 130408... DP/DK/DA
	77							TOP-0901	
	78							TOP-0902	
	79							TOP-0903	
	80							TOP-0904	

Spare parts

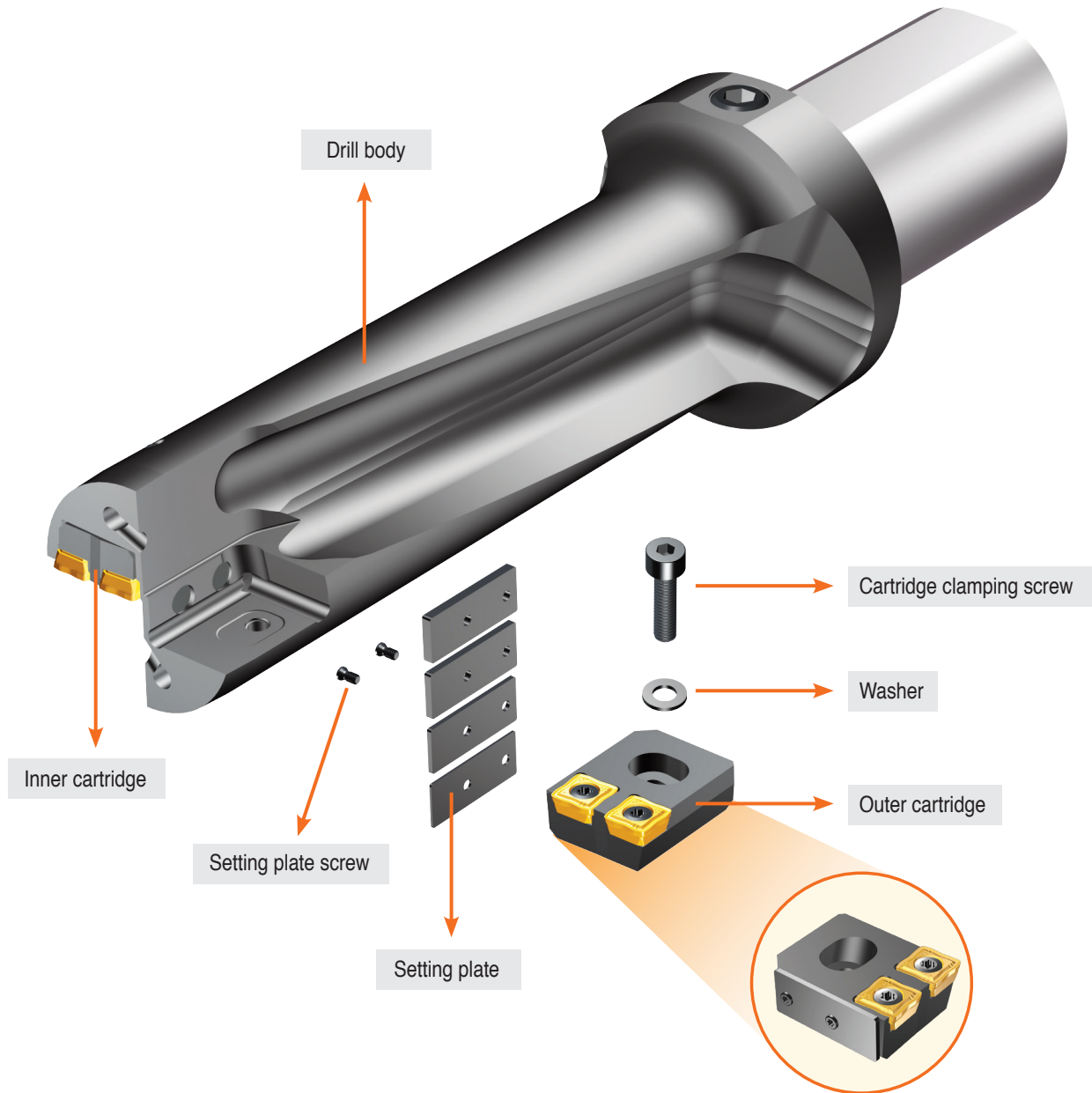
Designation	Screw	Outer cartridge	Inner cartridge
			
TOP ..51-55-50T2-09CA	TS 35088I	TOP 09CA-P1	TOP 09CA-C1
TOP ..56-60-50T2-11CA	TS 35088I	TOP 11CA-P1	TOP 11CA-C1
TOP ..61-65-50T2-11CA	TS 35088I	TOP 11CA-P2	TOP 11CA-C2
TOP ..66-70-50T2-11CA	TS 35088I	TOP 11CA-P3	TOP 11CA-C3
TOP ..71-75-50T2-13CA	TS 40093I	TOP 13CA-P1	TOP 13CA-C1
TOP ..76-80-50T2-13CA	TS 40093I	TOP 13CA-P2	TOP 13CA-C2

Spare parts for cartridges

Cartridge	Cartridge clamping screw	Washer	Setting plate screw
TOP 09CA-P1	SH M4x0.7x16	MW 4.3x8	TS 20043I/HG-P
TOP 09CA-C1	SH M4x0.7x16	MW 4.3x8	-
TOP 11CA-P1	SH M5x0.8x16	MW 5.5x10	TS 20043I/HG-P
TOP 11CA-C1	SH M5x0.8x16	MW 5.5x10	-
TOP 11CA-P2	SH M5x0.8x16	MW 5.5x10	TS 20043I/HG-P
TOP 11CA-C2	SH M5x0.8x16	MW 5.5x10	-
TOP 11CA-P3	SH M5x0.8x16	MW 5.5x10	TS 20043I/HG-P
TOP 11CA-C3	SH M5x0.8x16	MW 5.5x10	-
TOP 13CA-P1	SH M6x1.0x20	MW 6.4x12	TS 20043I/HG-P
TOP 13CA-C1	SH M6x1.0x20	MW 6.4x12	-
TOP 13CA-P2	SH M6x1.0x20	MW 6.4x12	TS 20043I/HG-P
TOP 13CA-C2	SH M6x1.0x20	MW 6.4x12	-

Setting plate information

Thickness (mm)	Diameter adjustment (mm)	Setting plate					
		for TOP 09CA-P1	for TOP 11CA-P1	for TOP 11CA-P2	for TOP 11CA-P3	for TOP 13CA-P1	for TOP 13CA-P2
0.5	1.0	TOP-0901	TOP-0901	TOP-0901	TOP-0901	TOP-0901	TOP-0901
1.0	2.0	TOP-0902	TOP-0902	TOP-0902	TOP-0902	TOP-0902	TOP-0902
1.5	3.0	TOP-0903	TOP-0903	TOP-0903	TOP-0903	TOP-0903	TOP-0903
2.0	4.0	TOP-0904	TOP-0904	TOP-0904	TOP-0904	TOP-0904	TOP-0904



* For the big diameter TOPDRILL, TaeguTec recommends a 15 bar minimum or higher coolant supply for smooth chip evacuation.